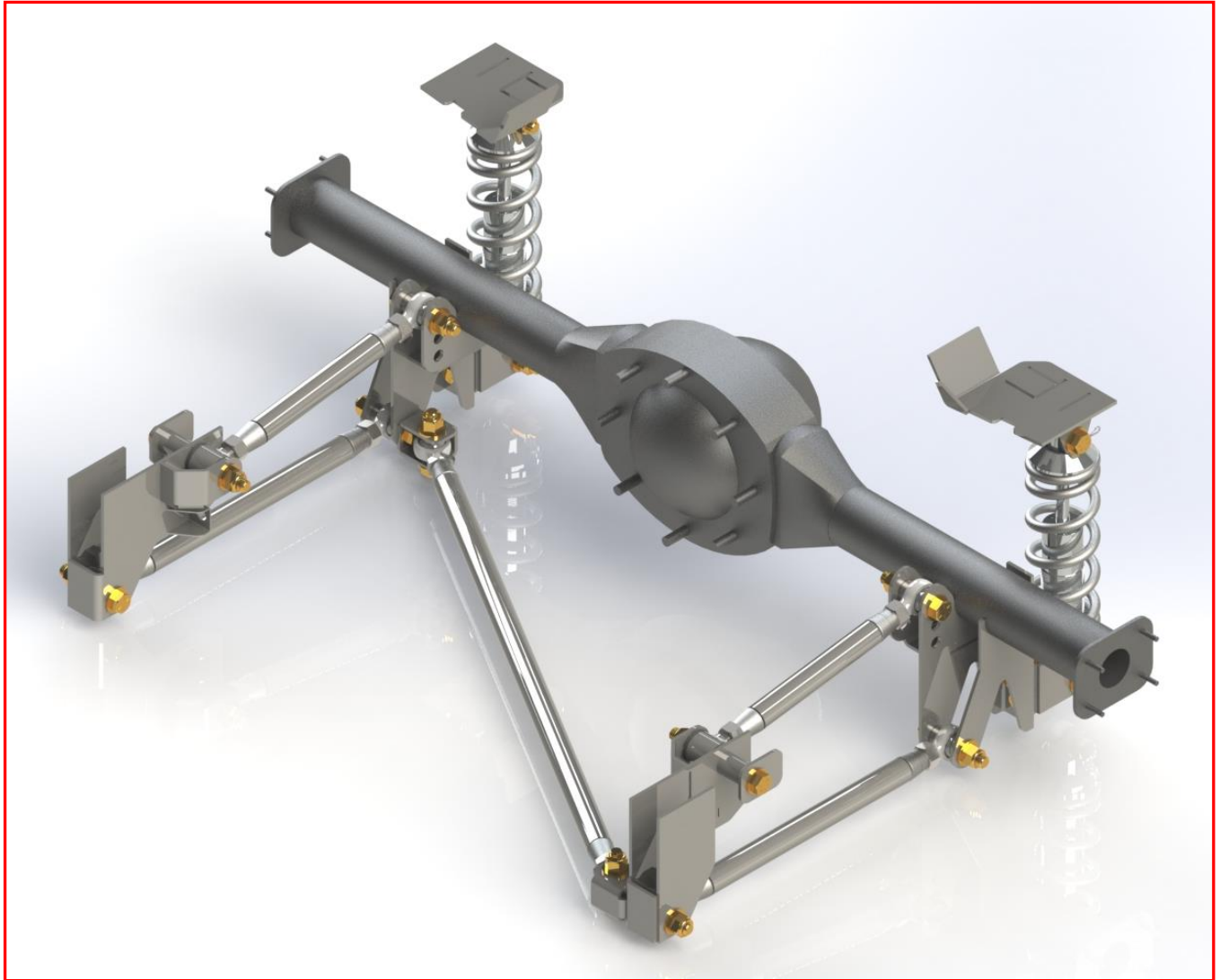


MOPAR

INSTRUCTIONS – 1970-1974
E-BODY PARALLEL 4-LINK

control freak
suspensions™

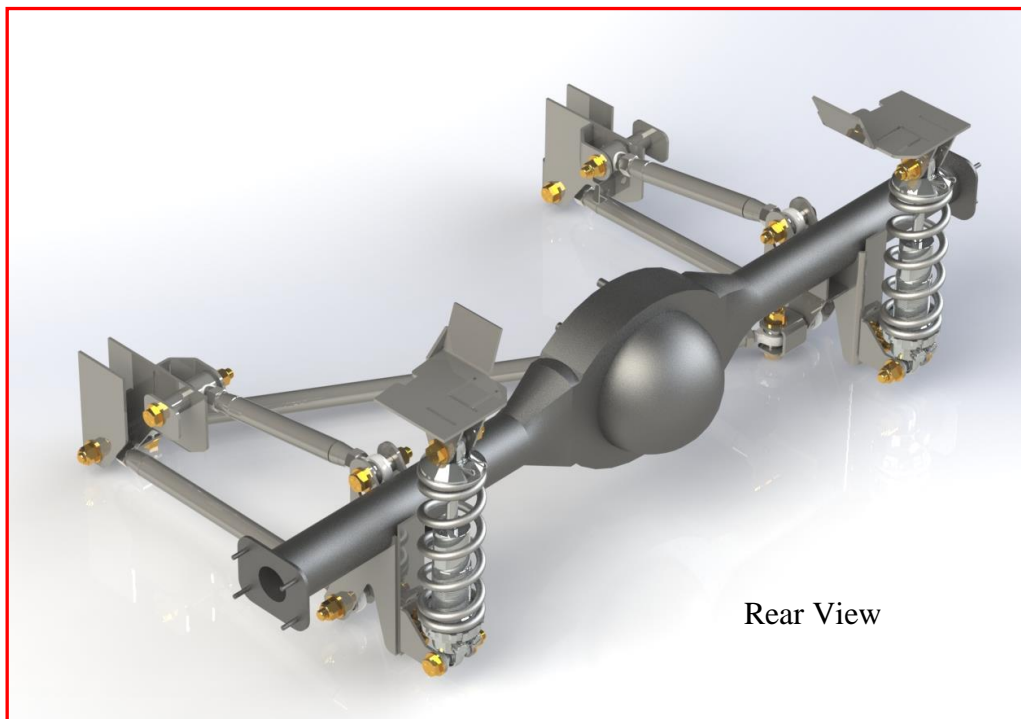
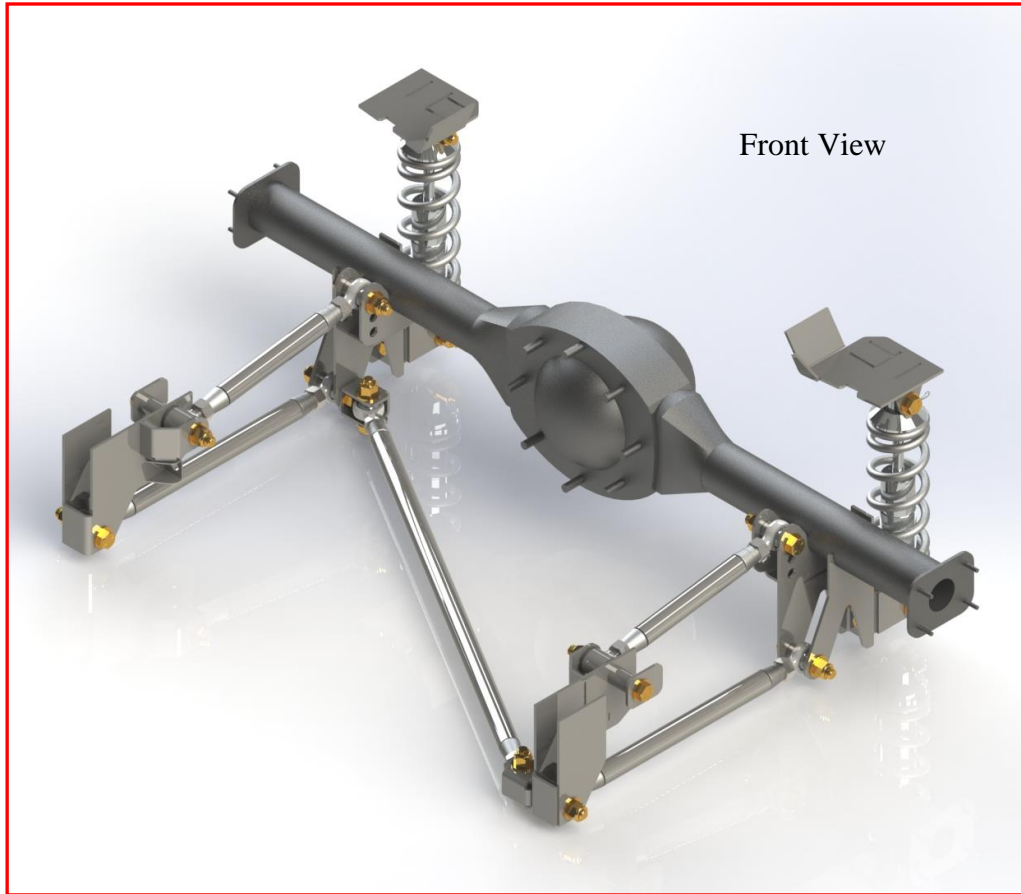
www.FreakRide.com

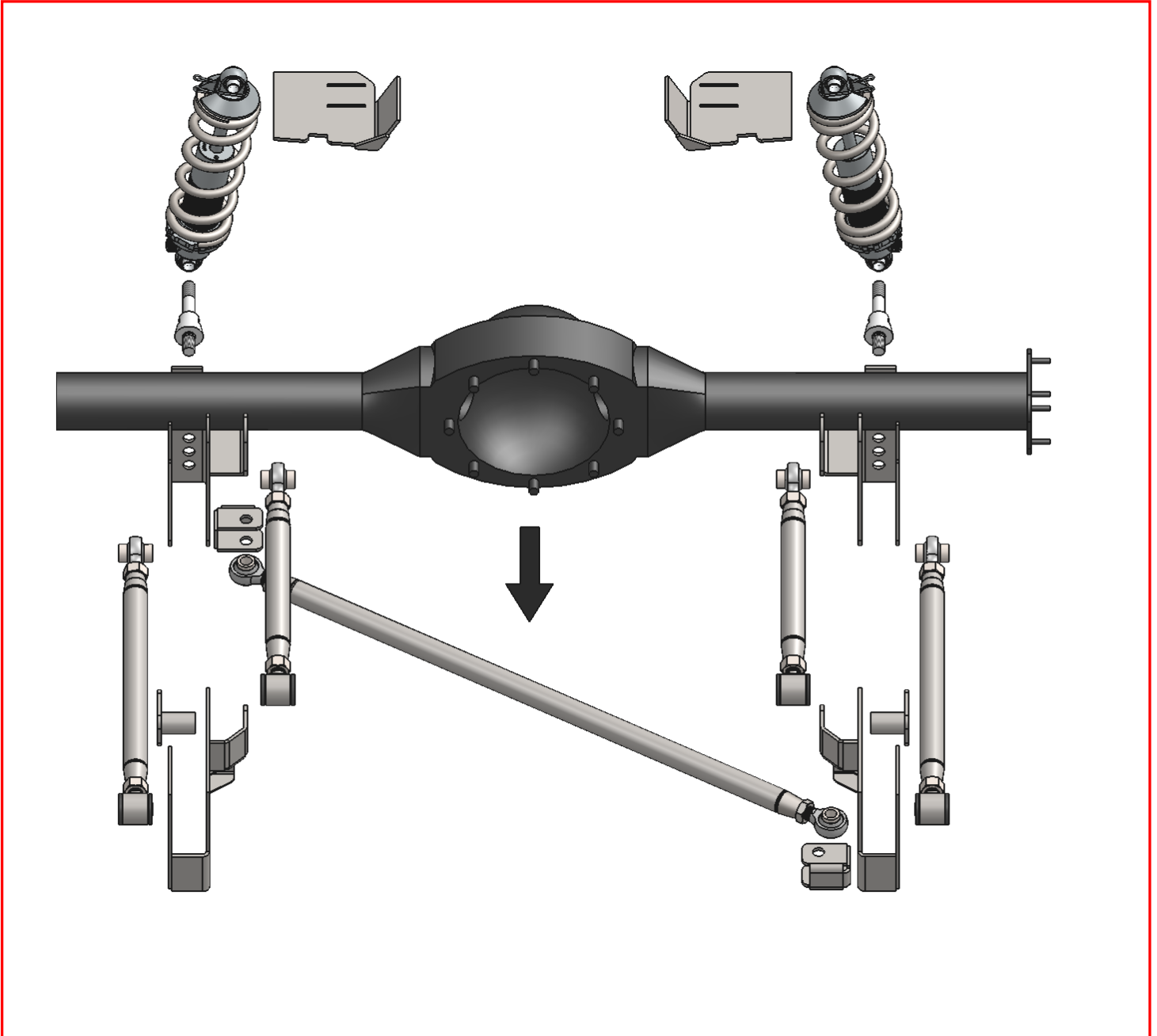


1970-1974 E-BODY (RS-5490)



April 2022





Installation Instructions

Triangulated 4-Link Rear Suspension System – Part # RS-5490
Mopar E-Body Vehicles

System Contents

- Forward Trailing Link Brackets (1 Left and 1 Right)
- Forward Through-Frame Brackets (2)
- Lower Rear Trailing Link Brackets (2)
- Upper Rear Trailing Arm Differential Mount (2)
- Lower Trailing Arm Set w/Adjustable Rod Ends
- Lower Trailing Arm Mounting Hardware Kit
- Upper Trailing Arm Set w/Adjustable Rod Ends
- Upper Trailing Arm Mounting Hardware Kit
- Upper Coil Over Mount Brackets (1 Left and 1 Right)
- Machined Studs - Lower Coil Over Mount with Hardware (2)
- Coil Over Shocks w/ Springs (2 Each)
- Coil Over Mounting Hardware Kit
- Track Bar with Brackets & Adjustable Rod Ends (2)

Thank you for purchasing this Parallel 4-Link Rear Suspension System for Mopar E-Body Vehicles. This system is manufactured by Control Freak Suspensions™ in Sanford, Florida. We believe this system is the best available at any price. As with most aftermarket performance suspension products, the end user is solely responsible for determining the suitability of any, and all, such products, regardless of manufacturer.

Because this system, and others like it, are typically subjected to uses that could exceed its mechanical limits, there is no warranty, expressed or implied. Blue Moon Services LLC d/b/a Control Freak Suspensions™ cannot control how this product is installed or used. By purchasing this product, you are assuming all risks associated with its installation and use and agree to having appropriate skills for its installation and use. Blue Moon Services LLC d/b/a Control Freak Suspensions™, our vendors and suppliers will not be held responsible, liable or accountable for any injury, damage, loss, penalties or fines that occur, directly or indirectly, from the installation and use of this product.

Please note that this system includes components that must be welded accurately into place. While installation is relatively easy for those with appropriate skills and experience, novices, or those who question their abilities, should employ a professional for installation. Fit is guaranteed on vehicles that are unmolested...that is cars that have not suffered any chassis or unitized body damage. Such damage can bend or alter the unitized chassis, making installation more difficult and may require chassis adjustment and/or straightening by professionals before installation.

Read all of the instructions before starting installation.

IMPORTANT NOTES:

1. All brackets in this kit must be welded into place.
2. Be certain to remove carpeting, insulation or other flammables from the area being welded or subjected to welding heat.
3. Installation of this rear suspension system is straightforward, but ease of installation is based upon your level of experience and ability.
4. By following these instructions and measuring accurately, we strongly recommend that all welded parts get **tack welded** into place **prior to final welding**. This allows you to fit the entire system **before** final welding is done.
5. Some parts of this system may have been accurately threaded by our CNC machine shop to receive the supplied adjustable rod and/or bushing ends. Be careful not to cross thread the rod ends into these machined parts. Use anti-seize compound on all threaded parts. We are not responsible for any cross threaded parts.
6. All rod ends that are threaded into tubes must use the supplied jam nuts for safety.
7. Use extra caution in jacking and stabilizing the vehicle for this installation. The differential will need to be removed and reinstalled, so **we strongly recommend the use of a professional lift to make the job easier and safer.**
8. An assistant is recommended during parts of this installation.

What Else Do I Need?

Everything you need is included in the purchase price. Installation requires welding. Disconnect your battery BEFORE welding. If you don't, you run the risk of ruining electronic ignition and entertainment components in the car.

• IMPORTANT NOTES:

Unpacking the System

Your rear suspension system arrives boxed and unassembled. Since this system requires all brackets to be welded into place we are unable to pre-assemble much of the product. While some parts may arrive assembled, please note that the assembled parts may not be appropriately installed or tightened for actual use. You are responsible for making certain all fasteners are installed correctly and appropriately tightened. If you ordered brakes with your system, the brake kit is boxed separately and has its own set of instructions provided by brake manufacturer.

Carefully open all boxes and remove all components. Lay out all the components and familiarize yourself with them using the CAD drawings on page 2 and 3 as your guide. This will make installation quicker and easier. Read through the entire instruction book and familiarize yourself with the steps before beginning installation.

Once you have read through the instructions and identified all the parts, prepare your tools for installation. You are now ready to begin installation.

Preparing for Installation

1. Measure the ride height of the vehicle by taking measurements from the rocker panel to the ground. Take a front and rear measurement on each side and note it in a notebook. We recommend using masking tape at all four measuring points and writing the measurement, so it can always be seen. This is your baseline stock ride height.
2. Support the differential with jacks. If you are using a lift, support with tall jacks. With the differential safely supported, remove the sway bar and the end brackets holding it in place against the frame.
3. Remove any exhaust components that may interfere with removing the rear differential.
4. Disconnect the driveshaft from the differential.
5. Remove the shocks from both sides of the differential.
6. Making certain the differential is supported by jacks and with a helper, remove the front and rear leaf spring bolts, keeping the differential from turning while doing so. You will remove the entire differential assembly.
7. Once the differential has been removed, take this opportunity to clean it up. After the upper and lower trailing arm brackets have been welded into place, and the original differential spring perches removed, you can paint the rear before reinstalling with the new suspension system.
8. Examine the rails on the car. Over the years, the vehicle may have been incorrectly jacked up in some areas which can slightly “mushroom” or otherwise move the rails slightly out of line. This is an opportunity to straighten or adjust the rails prior to putting the rear suspension brackets in place.
9. Prior to installing the brackets, the area around each bracket must be sanded to raw metal and cleaned. We use an air die grinder with a 3” RoLok sanding disc. 80 grit works fine. Clean at least 1/2” beyond the bracket, leaving ample clean metal for a good weld.



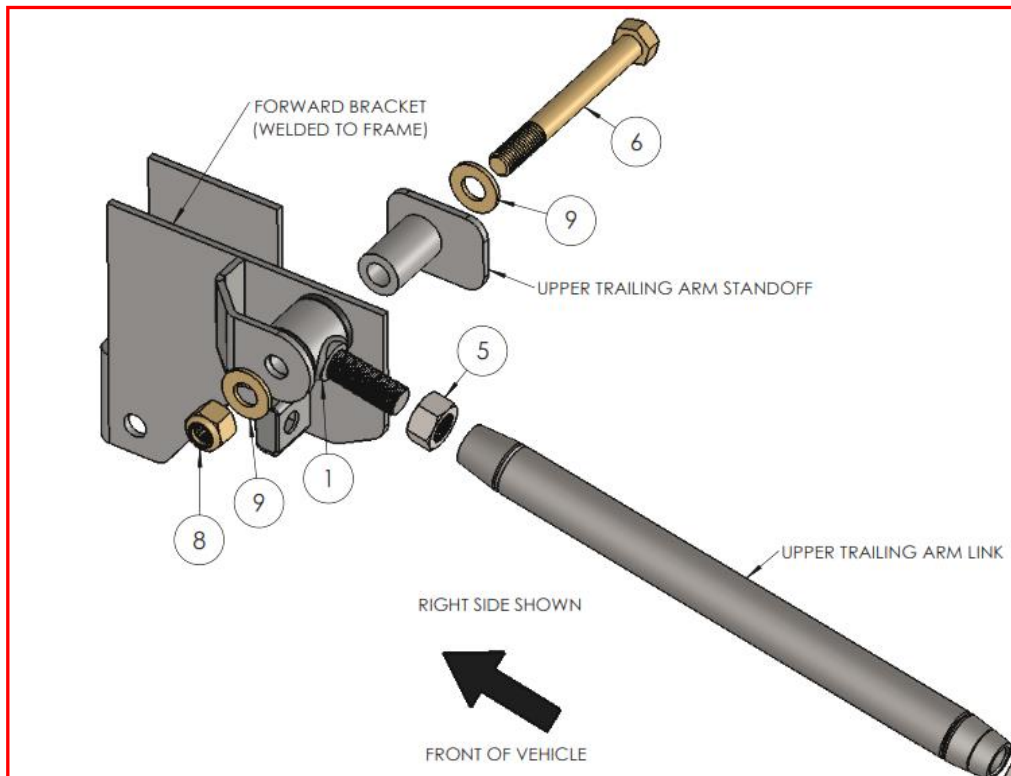
Installation of the Rear Suspension Brackets

1. Place the forward frame brackets into place. There is a right and left bracket. Correct placement is shown from the outside of the rail in the photos above. Make certain the area around the perimeter is cleaned to bare metal allowing a good welding surface. The forward edge of the brackets should be perpendicular to the chassis.



The picture above shows the forward frame bracket on the outside of the rail, firmly against the sheet metal lip (arrow). Do this on both sides then measure each bracket distance from a fixed point on each side of the chassis. Make fine adjustments to ensure they are positioned at equal distances and square.

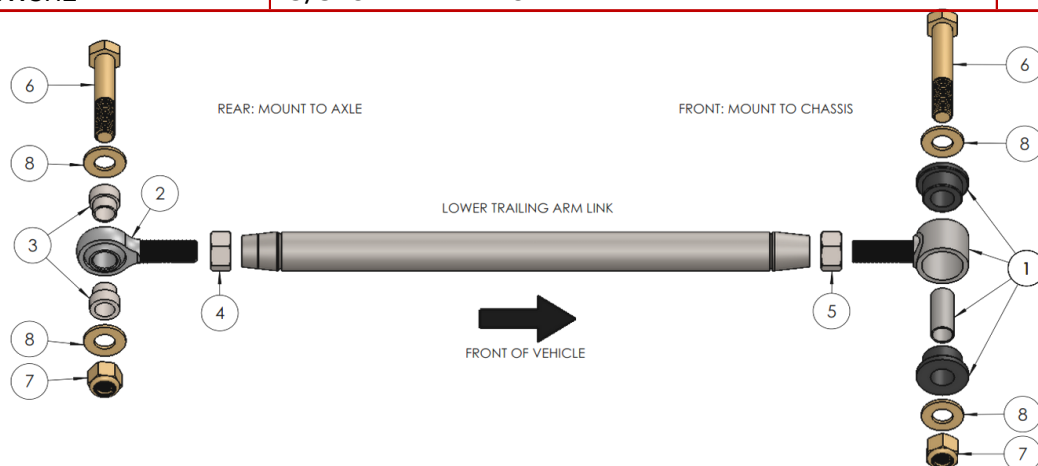
2. On the inside of the rail locate the upper trailing arm mount on the forward frame bracket you just tack welded into position. Drill a 3/16" hole through the center of the trailing arm mounting holes and through the chassis rail. From the outside of the chassis enlarge the hole to 3/4" with either a 3/4" drill bit or a die grinder. Once done, insert the standoff into the hole and run the upper trailing arm mounting bolt through the holes and all the way through the standoff. Tack weld the plate into position on the outside of the rail. See image on next page.



3. Prepare both upper and lower trailing arms and screw the rod ends in until about three threads are showing between the jam nut and the body of the rod end. Only hand tighten the jam nut. The length of both upper trailing arms should match each other as should the lower trailing arms.

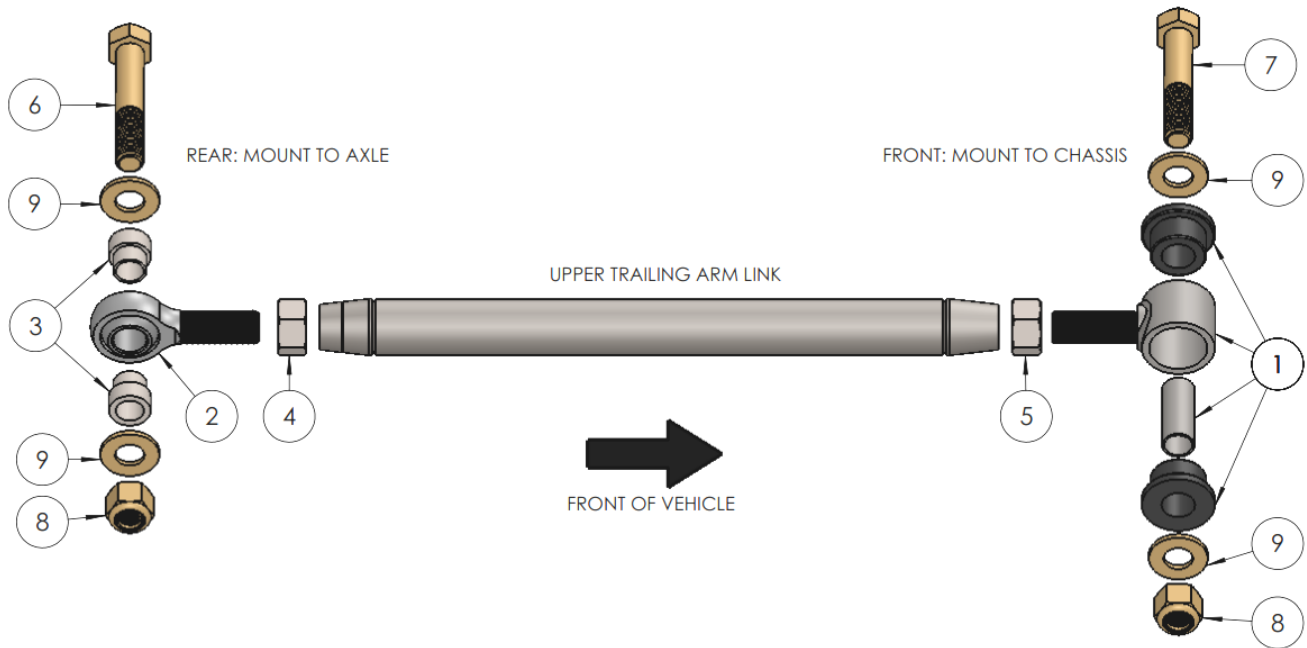
LOWER TRAILING ARM PARTS & HARDWARE

ITEM	PART NUMBER	DESCRIPTION	QUANTITY
1	-	MICROFLEX 3/4" FORGED ROD END W/ P&J BUSHINGS	1
2	XML-12	3/4" ROD END - LH THREADS	1
3	RS-9001	ROD END SLEEVE	2
4	75FNFJL8Z	3/4" JAM NUT - LH THREADS	1
5	75FNFJ8Z	3/4" JAM NUT - RH THREADS	1
6	62C350HC8Z	5/8"-11 X 3.50" HEX HEAD BOLT GRADE 8 YZ	2
7	62CNN8Z	5/8" -11 GRADE 8 NYLOCK NUT	2
8	62NWSHZ	5/8" SAE FLAT WASHER	4

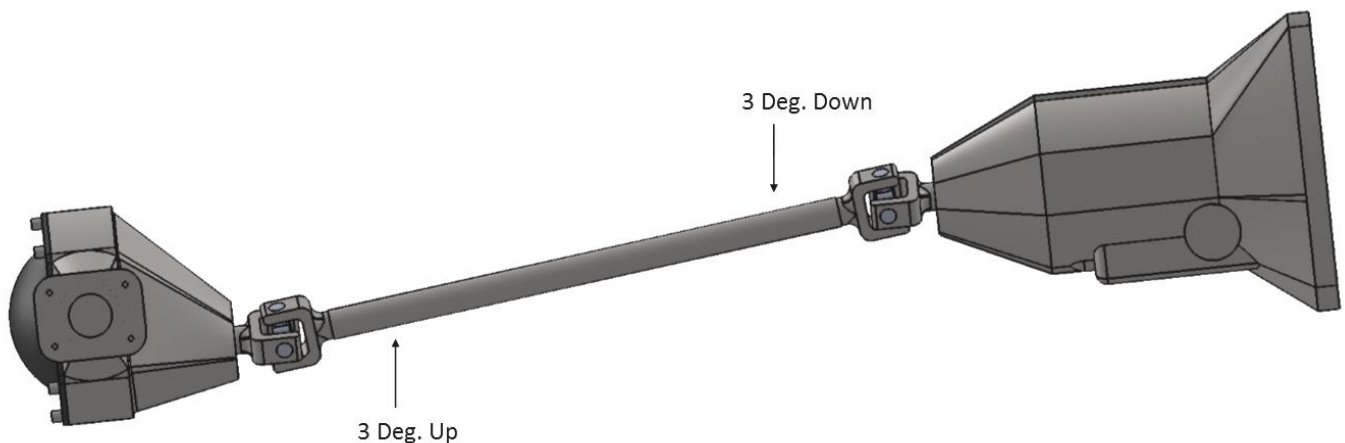


- Attach the upper and lower trailing arms to the forward frame brackets. Hand tighten the bolts.

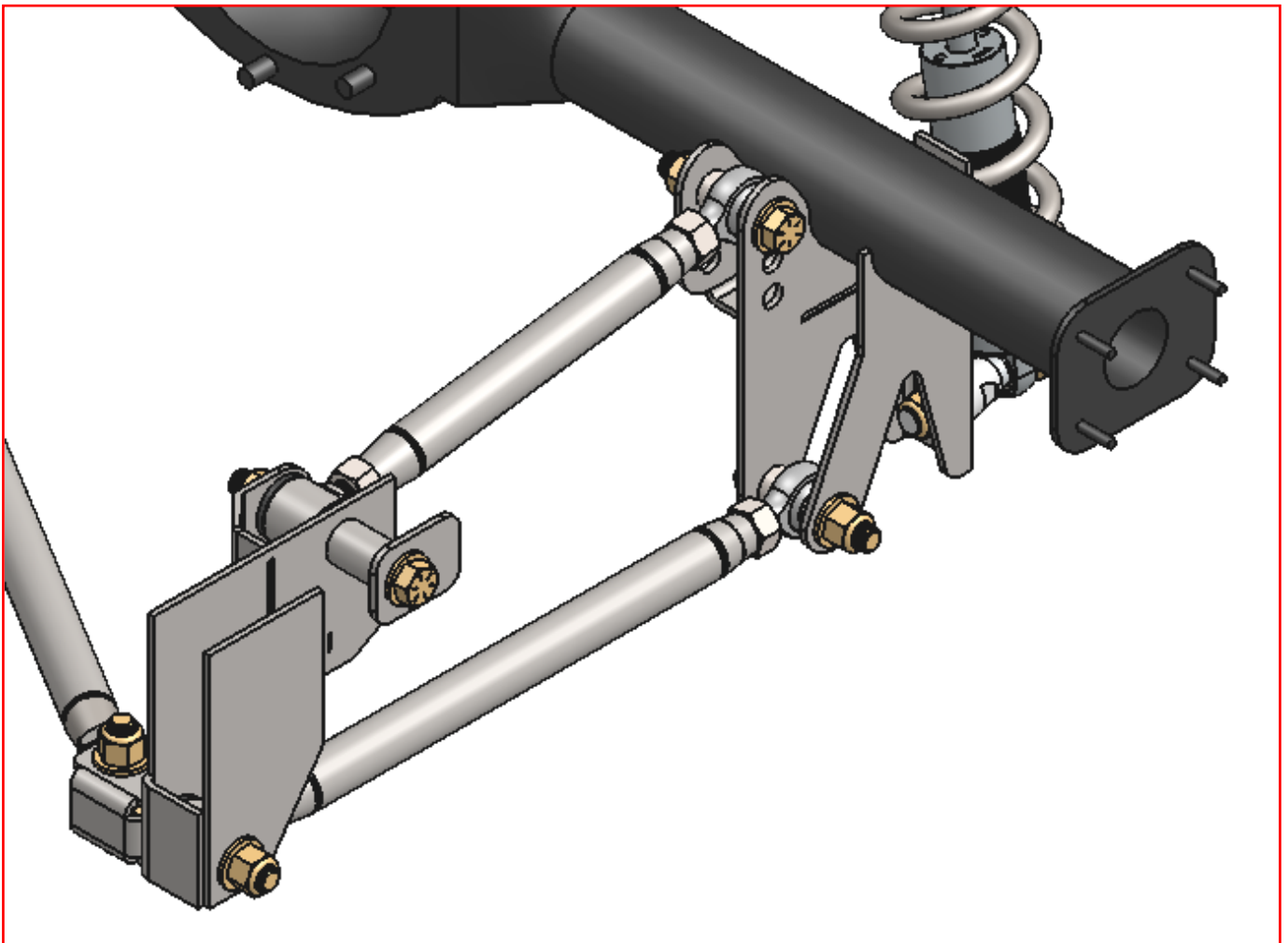
UPPER TRAILING ARM PARTS & HARDWARE			
ITEM	PART NUMBER	DESCRIPTION	QUANTITY
1	-	MICROFLEX 3/4" FORGED ROD END W/ P&J BUSHINGS	1
2	XML-12	3/4" ROD END - LH THREADS	1
3	RS-9001	ROD END SLEEVE	2
4	75FNFJL8Z	3/4" JAM NUT - LH THREADS	1
5	75FNFJ8Z	3/4" JAM NUT - RH THREADS	1
6	62C550HC8Z	5/8"-11 X 5.50" HEX HEAD BOLT GRADE 8 YZ	1
7	62C350HC8Z	5/8"-11 X 3.50" HEX HEAD BOLT GRADE 8 YZ	1
8	62CNN8Z	5/8" -11 GRADE 8 NYLOCK NUT	2
9	62NWSHZ	5/8" SAE FLAT WASHER	4



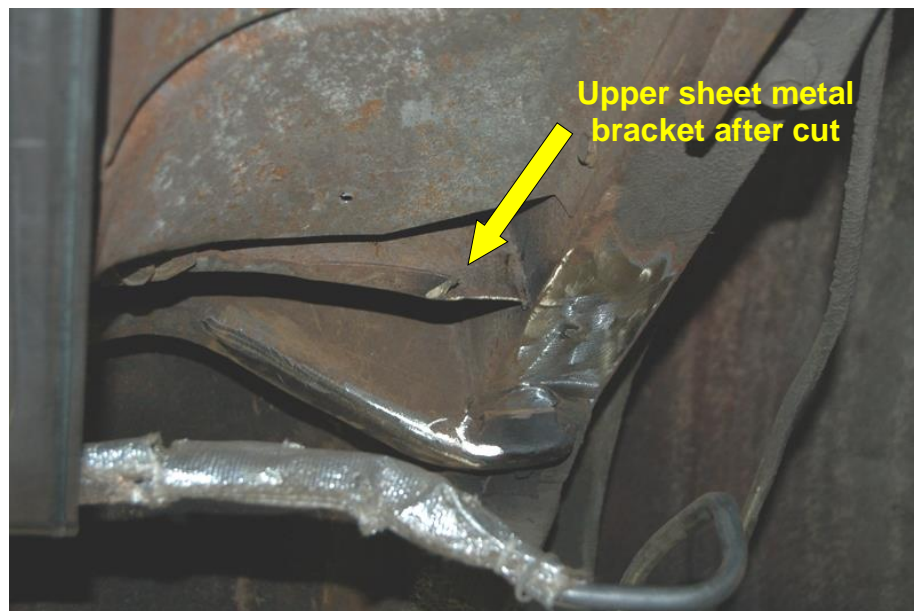
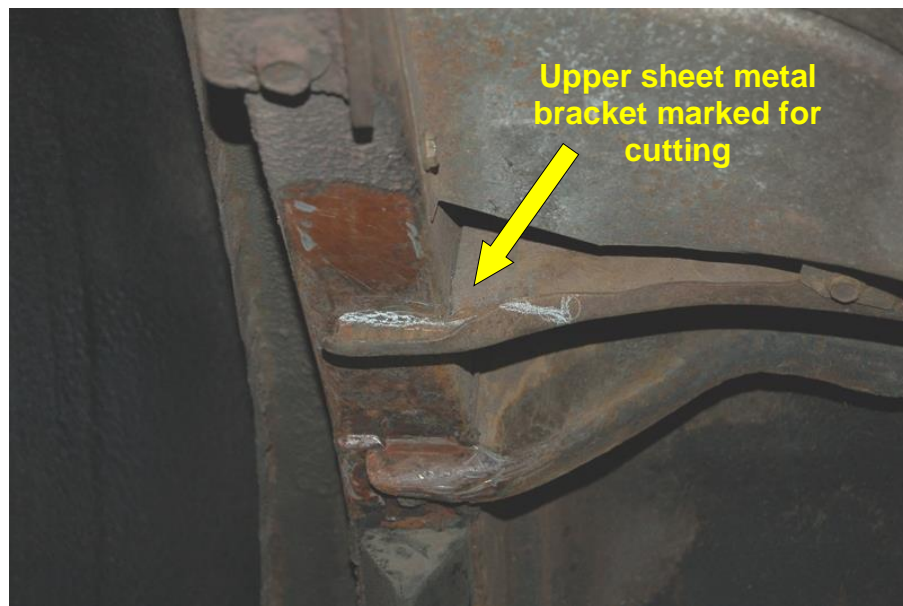
5. Attach the rear lower trailing arm brackets to the lower trailing arms. Only hand tighten the bolts. Attach the upper trailing arm to the smaller upper trailing arm brackets. Hand tighten the bolts. This provides ease for the initial tack weld position for the upper and lower trailing arm brackets on the differential.
6. Move the differential into position making certain that it is centered between the rails and at the ride height you have chosen. Now adjust the height of the rear axle to your desired ride height, which is typically 12-13" between the upper and lower shock mounts. Ride height is entirely up to you and the look / stance you want the car to have. You also must consider tire size. At this time, you should set a rough pinion angle before locating the upper & lower mounts.
7. If you can get to it, hold an angle finder on the crank pulley and note the angle. If you can't get into the crank pulley area with an angle finder, use the angle of the transmission tailshaft. Now place the angle finder on the front of the rear axle pinion and rotate the axle to duplicate the same angle. Placing the differential on two (2) jack stands and using a floor jack to adjust the angle is the simplest way to make even fine adjustments. Set the pinion angle from zero degrees to minus one-half degree. You will be able to make adjustments once the system is installed. This setting is a median setting for most applications. The drawing below will help you better understand setting the pinion angle.



8. Place the brackets that are attached to the lower trailing arms onto the differential. When you are satisfied that the brackets are in the appropriate location and perpendicular to the differential axle tubes, place a tack weld in the corners of the brackets just to hold them into position. If you need to make an adjustment later, you will only have to cut through a few tack welds.
9. Place the upper trailing arm differential brackets into position on the top of the differential tubes. You can see the position by viewing the CAD drawing on page 2. Just like on the lower brackets, tack the upper brackets into position ensuring they are parallel with the lower trailing arms and perpendicular to the differential axle tubes. Place a few tack welds into the corners of the brackets.
10. Attach the lower coil over mount brackets to the lower trailing arm brackets on the differential tubes. Snug the nuts but do not torque them. The picture below shows the trailing arms connected to the differential bracket.



11. Prepare the vehicle for installation of the upper coil over mounts. This step will require a little fabrication and some minor cutting of the edge of a sheet metal bracket. The first picture shows where to mark the sheet metal to trim it. You can use the bracket as a template to get a nice, even cut. The second picture shows the sheet metal after trimming. We use an air die grinder with a 3" cutting wheel. Regardless of what you use, make sure you have the right lines before cutting. Measure twice. Be certain to wear safety equipment such as face shield, eye protection and leather welding gloves.



12. Place the left and right upper coil over brackets into position as shown in the pictures below. Carefully tack weld the parts into place by placing tack welds where you can get to them should you need to shift bracket position. Again, double check before placing the tack welds. It is better to get it right the first time, even if it takes longer to do.



13. After checking all the tack welds, and you're sure that everything is evenly installed, you can remove the trailing arms.
14. Carefully, and with the aid of a helper, remove the differential from under the vehicle and prepare it for final welding of the brackets.
15. Before welding brackets to the differential, loosen the axles so heat does not build up and melt the axle seals. Weld a little at a time and alternate from side to side. We prefer to turn the differential upside down, making it easier to get a good, clean weld.

NOTE: Before final welding of the under-vehicle parts, remove carpeting and anything flammable from the interior of the vehicle.

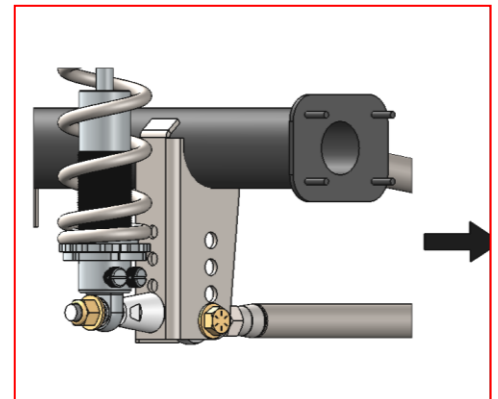


16. Weld all of the tack welded brackets and parts under the vehicle into place.
17. Once welded and cooled, take the opportunity to prime and paint the welded brackets and the areas around the welds.

18. The differential snubbers that are located on either side of the vehicle on the upper part of the chassis rail can now be trimmed. You will leave about 1" of the snubber in place. The cut is easily made with a hack saw as shown in the picture below

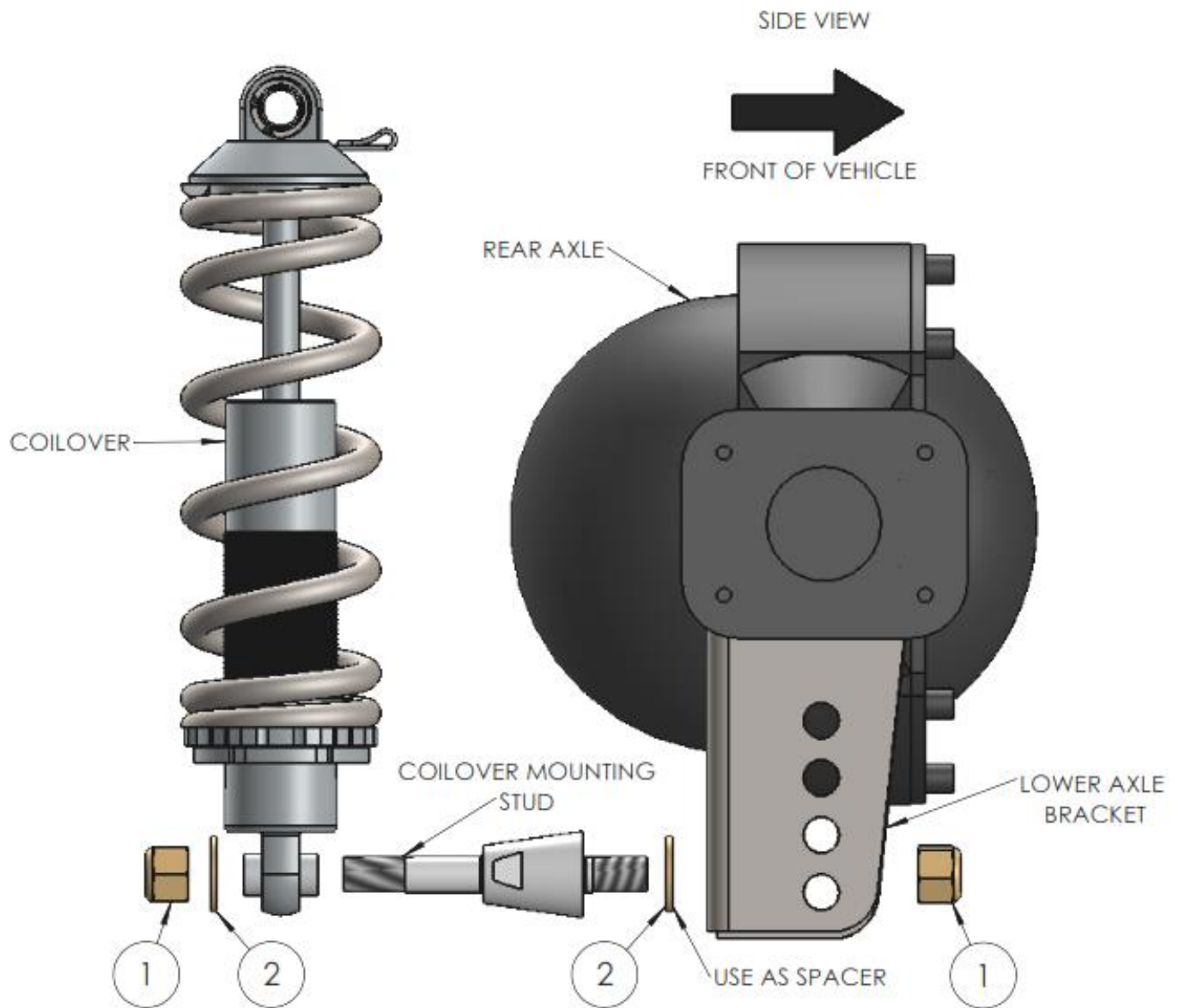


19. You can now reinstall the trailing arms and differential, making certain to tighten all bolts to the specifications on Page 17.
20. Prepare the coil over shocks for assembly. Paint some silver anti-seize compound onto the bottom half of the threads on the coil over body. This will ensure that when the coil over is assembled and under load that the nut will still turn without galling. Thread the lower nut onto the body, install the spring and attach the hat to hold the spring.
21. Install the coil over shocks. We recommend adjusting the coil over shocks loosely by hand until the shock is extended and the spring snug in place as a starting point. Coil overs will settle about 5/8" after ten or fifteen miles of driving, so set the height of your vehicle about 5/8" higher than you want it. It will settle.



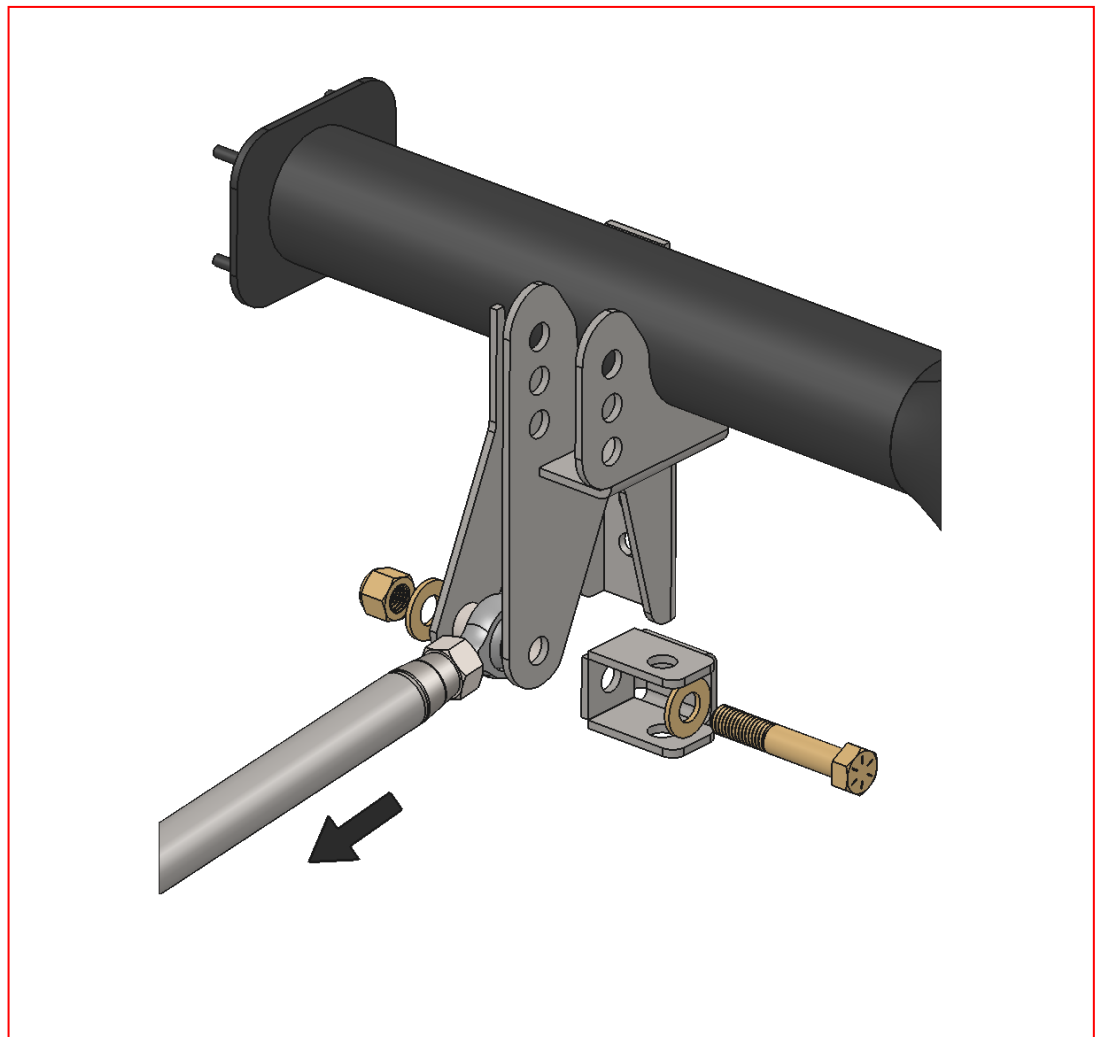
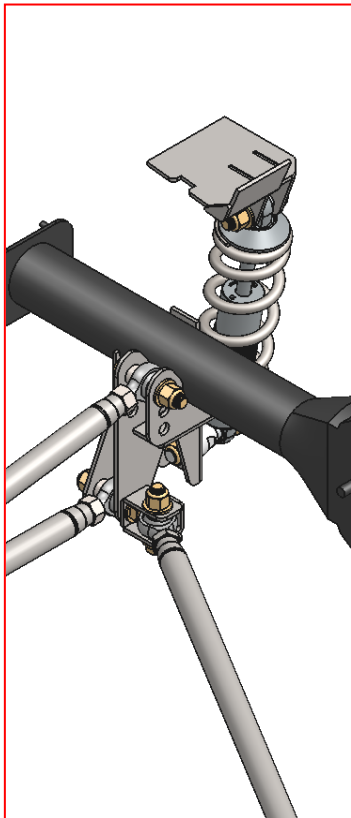
LOWER COILOVER MOUNTING HARDWARE

ITEM	PART NUMBER	DESCRIPTION	QUANTITY
1	62FNN8Z	5/8" - 18 GRADE 8 NYLOCK NUT YZ (FINE THREAD)	2
2	62NWSHZ	5/8" SAE FLAT WASHER	2



22. The last piece to install is the track bar with its two brackets. The brackets attach to the inside of the right rear lower trailing arm mount, and to the left front lower trailing arm mount, forming a diagonal under the differential.

TRACKBAR PARTS & HARDWARE			
ITEM	PART NUMBER	DESCRIPTION	QUANTITY
1	XML-12	3/4" ROD END - LH THREADS	1
2	XMR-12	3/4" ROD END - RH THREADS	1
3	RS-9002	ROD END SLEEVE	4
4	75FNFJL8Z	3/4" JAM NUT - LH THREADS	1
5	75FNFJ8Z	3/4" JAM NUT - RH THREADS	1
6	62C300HC8Z	5/8"-11 X 3.0" HEX HEAD BOLT GRADE 8 YZ	2
7	62CNN8Z	5/8" -11 GRADE 8 NYLOCK NUT	2
8	62NWSHZ	5/8" SAE FLAT WASHER	4



- 22. You can now put the vehicle on the ground.
- 23. That's it. You are done. Drive carefully.

We strongly recommend that all fasteners are re-torqued at between 25-50 miles of driving.

PART	TORQUE SPEC	# OF BOLTS TO TIGHTEN
Lower Trailing Arms	70 FT/LBS	4
Upper Trailing Arms	70 FT/LBS	4
Lower Coil Over Mounts	70 FT/LBS	4
Lower Coil Over Shock Bolt	50 FT/LBS	2
Upper Coil Over Shock Bolt	50 FT/LBS	2
Track Bar Forward Mount	60 FT/LBS	1
Track Bar Rear Mount	60 FT/LBS	1
Track Bar	50 FT/LBS	2

IMPORTANT

DISCLAIMER In an effort to offer our customers value and service, Blue Moon Services LLC d/b/a Control Freak Suspensions (herein referred to as Control Freak) reserves the right to change suppliers, specifications, colors, prices, materials. Each of the previous items is subject to change without notice. Control Freak is not responsible for any typographical errors or misinterpretations. Quantities are limited on some items.

WARRANTY DISCLAIMER The purchaser understands and recognizes that racing parts, specialized high-performance equipment, and all parts and services sold by Control Freak, are exposed to many and varied conditions due to the manner in which they are installed and used. Control Freak makes no warranties, either expressed or implied, including any warranty of merchantability or fitness for a particular purpose other than those contained in its current catalog with respect to the goods identified on the face of the invoice. There is no warranty expressed or implied as to whether the goods sold hereby will protect purchaser or ultimate user of such goods from injury or death. Control Freak assumes no liability for these suspension products.

DAMAGE CLAIMS Always inspect your package upon delivery. Inspect all packages in the presence of the delivery driver. The driver must note any damage. Ask the driver the Carrier's procedures for handling damage claims. You must hold the original box, packing material and damaged merchandise for inspection or the carrier will not honor the claim. Notify Control Freak for instructions on returning damaged goods. Control Freak is not responsible if no notification is given within two (2) days of receipt.

SHORTAGES Always check the contents of your delivery to insure all the parts that you ordered were received. Please read the invoice and Pack Lists. Double check all packing materials, small items may be wrapped inside with these products. Shortages may occur from damage to the box, so save all packing materials. Inspect the box for holes that would allow parts to fall out. If you are missing any item(s) be sure to check your invoice and/or Pack List for back orders or canceled items before calling the customer service department. If Control Freak has to split a shipment into multiple boxes, packages may be delivered on different days. You need to contact the customer service department within 5 days of delivery to assure the prompt replacement. Control Freak assumes no liability after this period.

WARRANTY CLAIMS If an item has a manufacturer's warranty as being free from defects we will exchange that item. If the item has been used and you are requesting warranty work, Control Freak will determine the validity of the claim. If you have any questions, please contact customer service.

RETURNS Our return policy applies to all suspension systems *except* Independent Front Suspension (IFS) systems. Control Freak wants you to be satisfied with your purchase. If within five (5) days after you receive your shipment you are not satisfied, you may return the item for refund, exchange or credit. **This does not apply to any IFS systems.** All exchanged or returned merchandise must be in original factory condition with no modifications or alterations. Returned merchandise must include all original packaging materials, warranty cards, manuals, and accessories. If the items being returned need to be repackaged there will be a re-packing charge of 15%. Pack the item in a sturdy box and include a copy of your invoice and notify us of the return. You must ship orders back **PRE-PAID. WE DO NOT ACCEPT COD SHIPMENTS.** All exchanges need to have reshipping charges included. Items that are returned after 5 days are subject to 15% restocking charges. **Absolutely no returns on custom built suspension systems or other special-order merchandise. All IFS systems are considered custom builds. All exchange and/or repair is at the discretion of Control Freak Suspensions.**

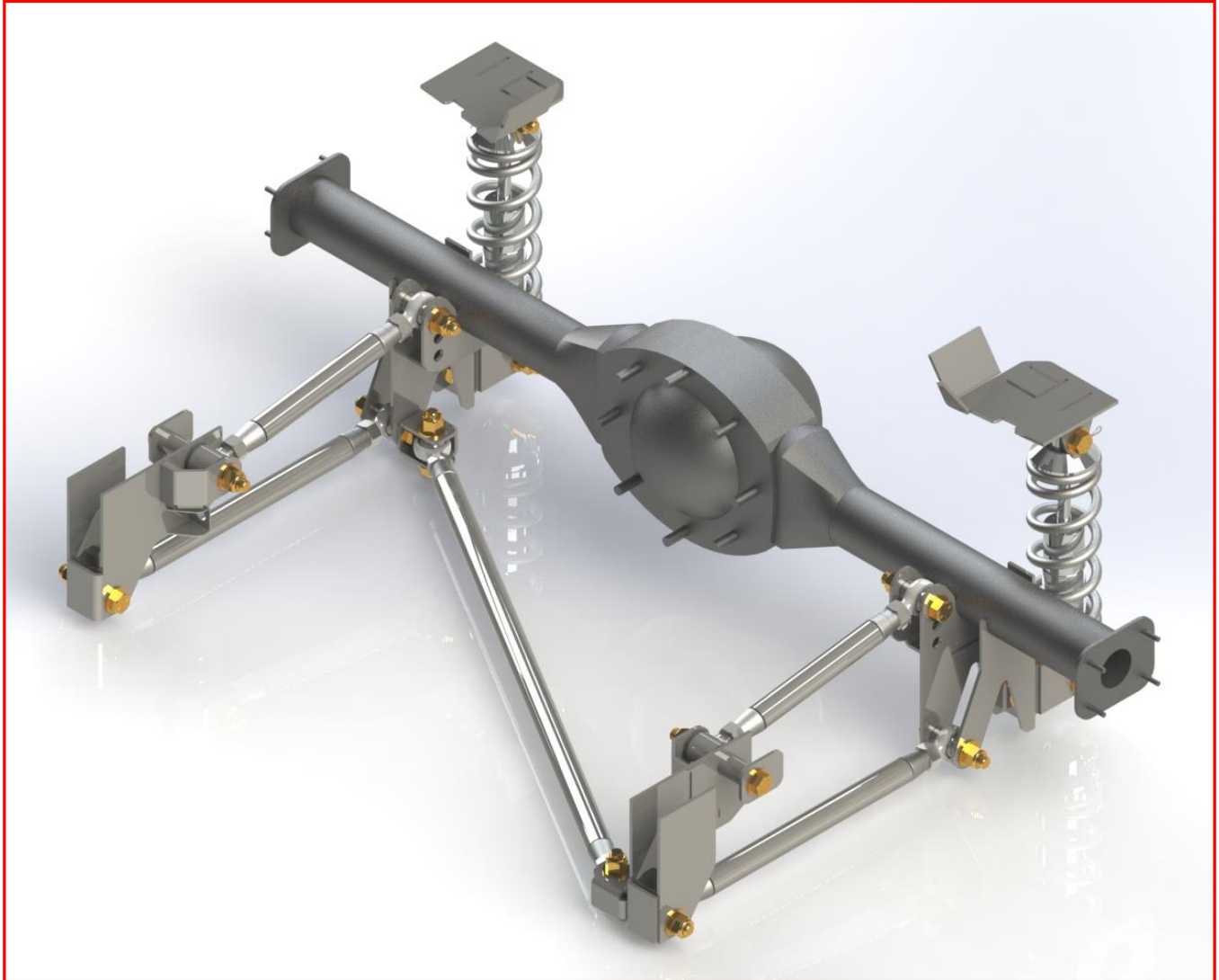
Some items may not be street legal in some countries. Such items may be legal for racing vehicles only which may not be used upon a highway

MOPAR

INSTRUCTIONS – 1970-74
E-BODY PARALLEL 4-LINK

control freak
suspensions™

www.FreakRide.com



Control Freak Suspensions
2920 W. Airport Blvd, Suite 110
Sanford FL 32771
407-878-0697 OR 407-696-2772
Email: Sales@FreakRide.com
www.FreakRide.com