

AMC

INSTRUCTIONS

GREMLIN / HORNET / SPIRIT / CONCORD
SUB-FRAME CONNECTORS

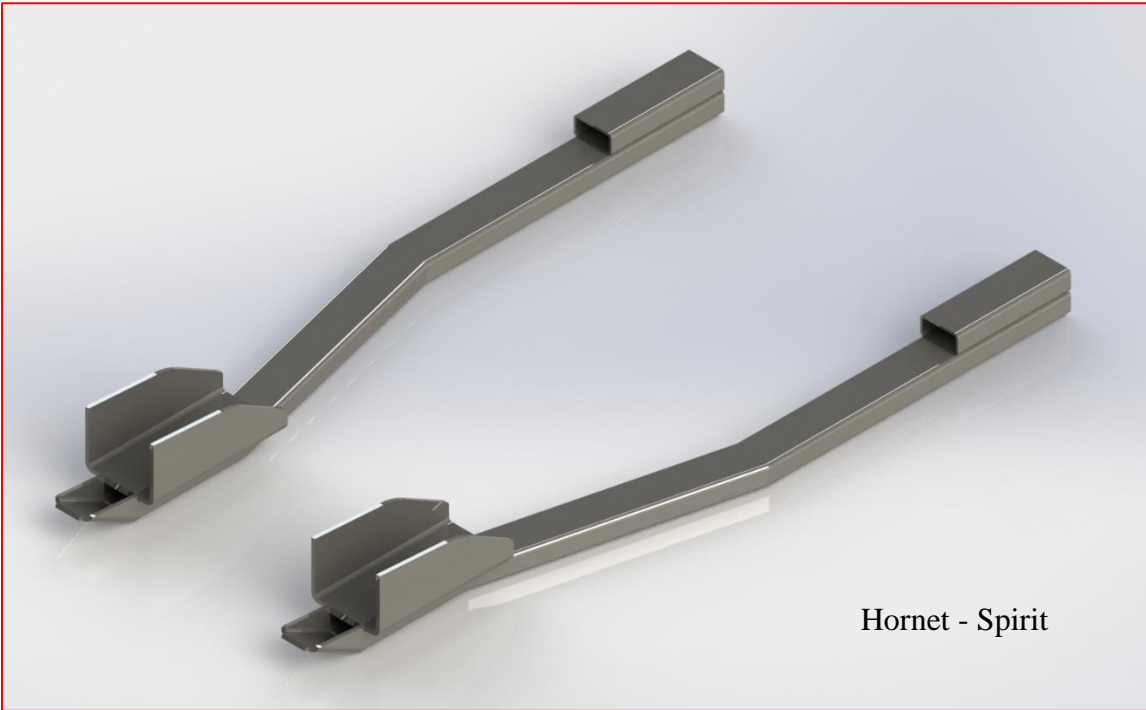
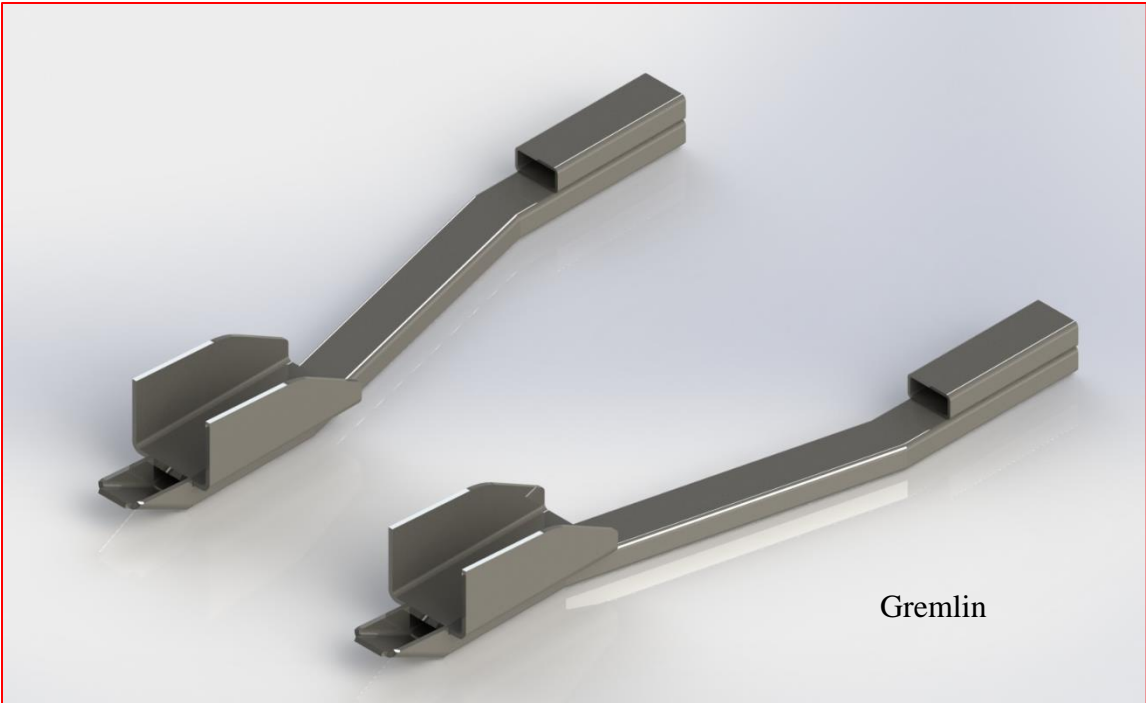
control freak
suspensions™

www.FreakRide.com

SUB-FRAME CONNECTORS

**1970-1983
GREMLIN
HORNET
SPIRIT
CONCORD**





Installation Instructions

**Vehicle: 1970-78 Gremlin & Hornet
1979-83 Spirit & Concord**
Sub-Frame Connectors

Sub-Frame System Contents

- Two (2) pre-cut & welded 1" x 2" x .125 wall rectangular tube bars
- Two pre-made u-shaped brackets for front frame connection
- Two pre-made wedge-shaped brackets for front frame connection
- Two small angle cut 1" x 2" x 6" rectangular tubes for rear spacing

Thank you for purchasing a world-class Control Freak Suspensions® AMC Gremlin, Hornet & Spirit sub-frame connector kit manufactured in Sanford, Florida. We believe this system is the best available at any price. As with any aftermarket performance product, this system is recommended for off road use only. This system is typically subjected to uses that exceed its mechanical limits, so there is no warranty, expressed or implied. Blue Moon Services LLC and its Control Freak Suspensions brand cannot control how this product is installed or used. By purchasing this product you are assuming all risks associated with its installation and use and agree to possess appropriate skills for its installation and use. Blue Moon Services LLC and its Control Freak Suspensions brand, our vendors and suppliers will not be held responsible, liable or accountable for any injury, damage, loss, penalties or fines that occur, directly or indirectly, from the installation and use of this product..

Please note that while installation is relatively easy for those with welding skills and moderate experience, novices should employ a professional for installation. Fit is guaranteed on vehicles that are unmolested...that is cars that have not suffered any chassis or significant sub-frame damage. Such damage can bend or alter the unitized body or chassis, making installation more difficult and may require chassis adjustment.

Read all of the instructions before starting installation.

IMPORTANT NOTES:

1. Installation of the sub-frame connectors is relatively easy, but welding is required.
2. Use extra caution in jacking and stabilizing the vehicle for this installation. A lift is highly recommended.

What Else Do I Need?

Everything you need is included in the purchase price. Installation requires welding and we recommend MIG welding for strength and looks. Disconnect your battery BEFORE welding. If you don't you run the risk of ruining electronic ignition and entertainment components in the car.

If you plan on installing the Control Freak Suspension 4-link coil over rear suspension system for this vehicle, now is the time to do so, before welding the sub-frame connector bars into place.

Installation

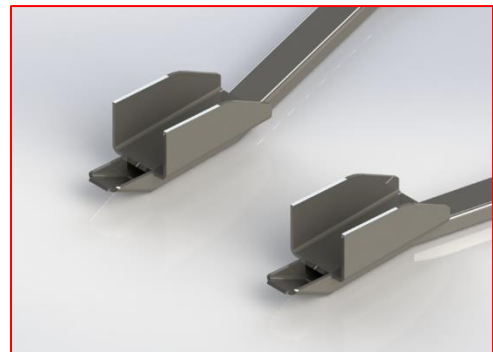
1. Now is the perfect time to clean up the vehicle underside of debris, oil or other unsightly elements.
2. You will need to sand all debris away from where the brackets will be welded on the sub-frames, front and rear. Also sand the area where the sub-frames come in contact with the floor pans.

Tack Weld all parts into position BEFORE FINAL WELDING. Once you are certain everything is correctly in place, you can prepare for final welding. Before final welding be certain to remove all carpet in the weld areas, and disconnect the battery

3. Put the car securely on large jack stands or on a lift. A lift is preferred for ease of installation and safety. Do not compromise safety for expedience.
4. Place the u-shaped bracket over the rear of the front sub-frame. Once flush into position, tack weld the front edge and the sides. Small tack welds are desirable because if you need to make a change, small tacks are easier to cut.

NOTE: REMOVE INTERIOR CARPET AND INSULATION BEFORE WELDING. YOU WILL BE WELDING TO THE FLOOR PANS WHICH COULD CAUSE A FIRE.

5. Place the long bars into position on the vehicle. Both bars are mirror images of the other and they angle outboard as they connect front and rear sub-frames. On the left (driver) side of the vehicle, the parking brake cable and a fuel /brake line may need to be moved slightly to clear the bars. Do this carefully. We have added extra material on the rear of the bars, just in case you wish to have a longer weld.
6. Place the short 1"x2" rectangle tube between the rear of the sub-frame connector and the chassis rail. Tack it into position. When the long bars have been tack welded into position, insert the small wedge-shaped bars to the front of the bars as shown in the picture. This serves as a cover for the front of the bars. Make certain they meet the stamped bracket on the underside of the vehicle. Depending on the condition of your floor pans, some of the wedge-shaped part will need to be trimmed. Do not force it into position. Trim it so it slides in easily as it will be welded into position on the sub-frame connector and the floor brace. Tack weld into position.



NOTE: REMOVE INTERIOR CARPET AND INSULATION BEFORE WELDING. YOU WILL BE WELDING TO THE FLOOR PANS WHICH COULD CAUSE A FIRE.

7. Once all the parts have been tack welded into position, you are ready to begin the final welding.
8. You will weld in small sections at a time, allowing one area to cool while welding another section.
9. First weld the bars to the brackets and the brackets to the sub-frames.
10. Once cooled, weld the small wedge-shaped piece to the bars and the floor pans.
11. Finally, put small stitch welds of about 3.4" along both sides of the sub-frame connectors where they meet the floor pans. Do a little at a time, moving to another area allowing the previously welded area to cool.
12. Once welded, the sub-frame connectors are correctly installed and you're ready to drive your vehicle.

Tech Line: 407-696-2772



Disclaimer of Warranty

THE PURCHASER IS RESPONSIBLE FOR DETERMINING THE SUITABILITY OF ANY AND ALL PRODUCTS MANUFACTURED BY BLUE MOON SERVICES LLC

Purchaser understands and recognizes that racing parts equipment and services provided by, manufactured and/or sold by Blue Moon Services LLC d/b/a Control Freak Suspensions under the Control Freak Suspensions label, are subject to varied conditions due to the manner in which they are installed and used. Purchaser further recognizes and agrees that suitability of any part sold or manufactured by Blue Moon Services LLC d/b/a Control Freak Suspensions under the Control Freak Suspensions label for a particular application is the purchasers decision and that the purchaser is not relying on the skill or judgment of Blue Moon Services LLC d/b/a Control Freak Suspensions under the Control Freak Suspensions label regarding suitability of any product or service. Blue Moon Services LLC d/b/a Control Freak Suspensions under the Control Freak Suspensions label, makes no warranties whatsoever, expressed or implied, oral or written to purchasers. There is no warranty of merchantability made to purchasers with regard to off road, racing and racing equipment.

Liability is limited to repair or replacement of defective parts to original purchaser. Blue Moon Services LLC d/b/a Control Freak Suspensions is not liable for any consequential damages, expenses or injury arising from the use, misuse, or improper installation of any product manufactured or sold by Blue Moon Services LLC d/b/a Control Freak Suspensions under the Control Freak Suspensions label. Blue Moon Services LLC d/b/a Control Freak Suspensions reserves the right to make changes in design or add to or improve its product without incurring any obligation to install the same on any products previously manufactured. This warranty shall not apply to any product which has been repaired or altered in any way so as in our judgment to affect its performance; nor which has been subject to misuse, abuse, negligence or any other occurrence beyond the control of Blue Moon Services LLC d/b/a Control Freak Suspensions.

AMC

INSTRUCTIONS

GREMLIN / HORNET / SPIRIT
SUB-FRAME CONNECTORS

control freak
suspensions™

www.FreakRide.com

SUB-FRAME CONNECTORS

**1970-1983
GREMLIN
HORNET
SPIRIT
CONCORD**

Control Freak Suspensions
2920 W. Airport Blvd, Suite 110
Sanford FL 32771
Tel: 407-696-2772
Email: Tech@FreakRide.com

www.FreakRide.com

