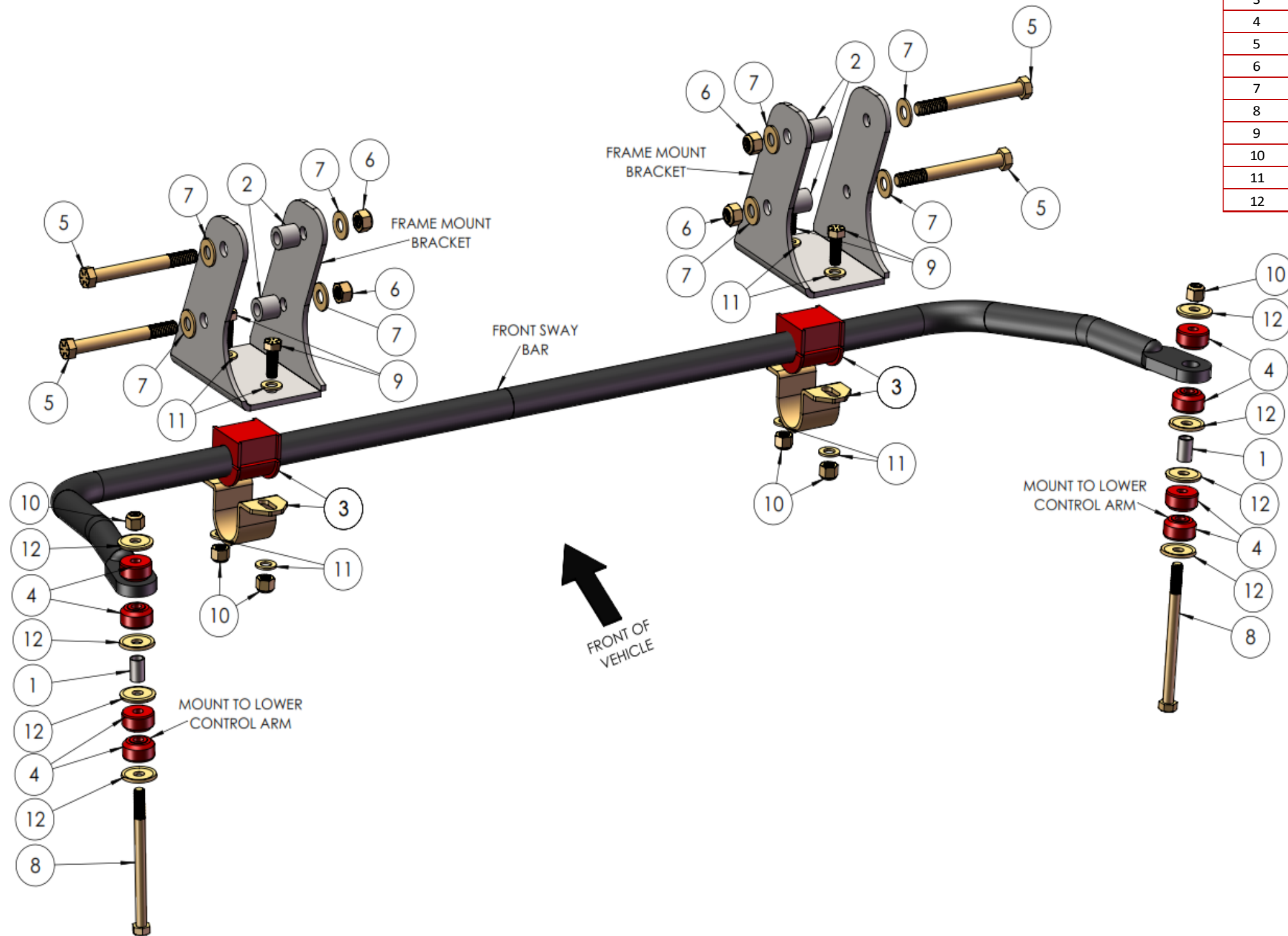


AMC

INSTRUCTIONS

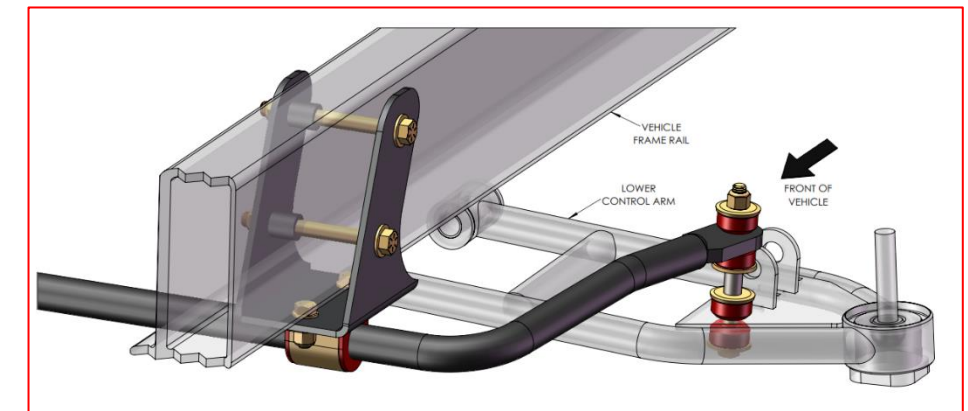
FRONT SWAY BAR KIT – AMX, JAVELIN, REBEL

Requires AMC IFS System



FRONT SWAY BAR HARDWARE			
ITEM	PART NUMBER	DESCRIPTION	QUANTITY
1	IFS-1649	SWAY BAR LINK SPACER	2
2	ACC-1813	FRAME MOUNT SPACER	4
3	ACC-1834	SWAY BAR MOUNT BUSHING & U BRACKET	2
4	U-60352	SWAY BAR LINK BUSHING	8
5	43C425HCS8Z	7/16" - 14 x 4.25" HEX HEAD BOLT GRADE 8 YZ	4
6	43CNN8Z	7/16" - 14 NYLOCK NUT GR8 YZ	4
7	43NWSHZ	7/16" SAE FLAT WASHER	8
8	37C450HCS8Z	3/8" - 16 x 4.50" HEX HEAD BOLT GRADE 8 YZ	2
9	37C100HCS8Z	3/8" - 16 x 1.00" HEX HEAD BOLT GRADE 8 YZ	4
10	37CNN8Z	3/8" - 16 NYLOCK NUT GR8 YZ	6
11	37NWSHZ	3/8" SAE FLAT WASHER	8
12	WASH-1130	3/8" DISHED WASHER	8

Close-up of sway bar bracket and end link mounting:



Control Freak Suspensions

2920 W. Airport Blvd., Suite 110

Sanford, FL 32771

(407) 696-2772

Email: Tech @FreakRide.com